

Boat type & Length _____

Description _____

Asymmetric Gennaker Smart Code Code Zéro

Bowsprit Yes No | Bowsprit Length _____

Measured with furler ? Yes No

Furler brand, Art.n° or Measures _____

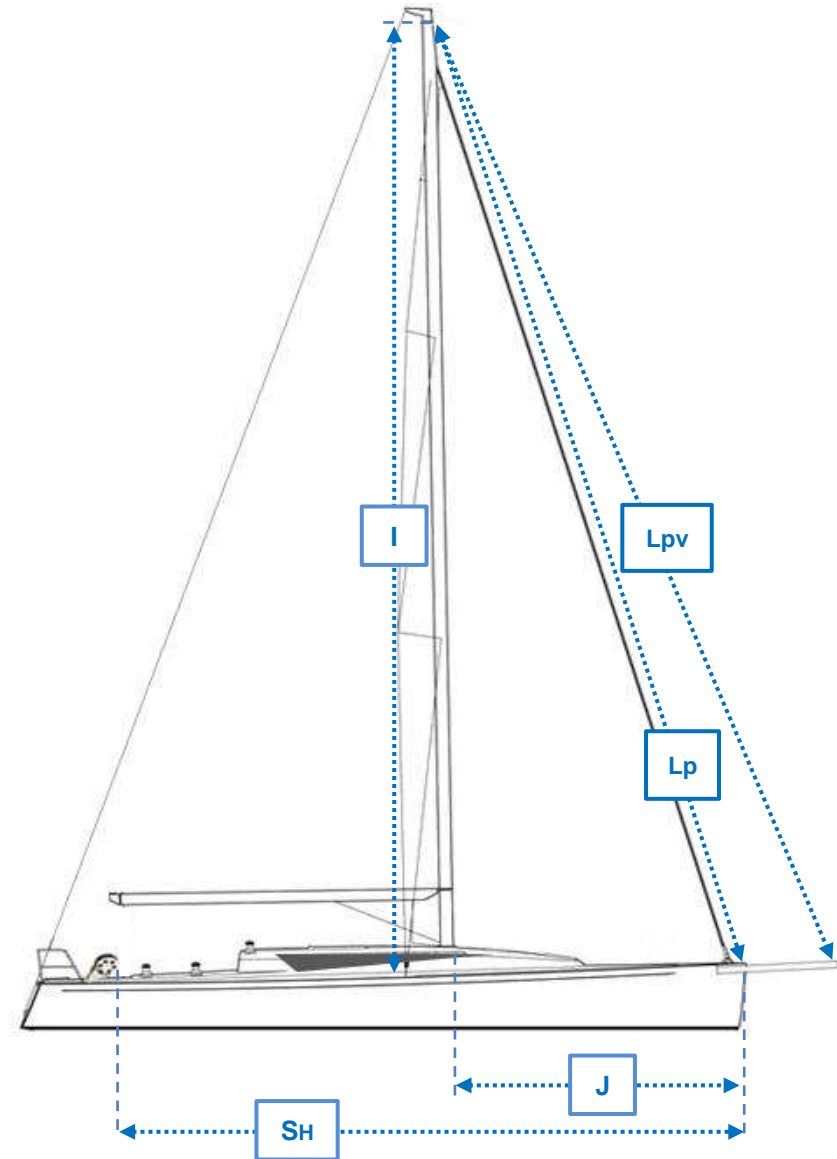
Symmetric | Pole Length _____

In use with Snuffer ? Yes No

Colours _____

measurements in cm

Lpv	fully hoist spinnaker halyard - bowsprit tack point or pole end	
Lp	fully hoist spinnaker halyard - deck and forestay intersection	
I	fully hoist spinnaker halyard - shroud u-bolt (deck level)	
SH	deck and forestay intersection - sheet point	
J	deck and forestay intersection - front side of the mast	



Date & Signature _____

