

Boat type & Length _____

Description

Crosscut Radial cut Furling Sail Hank On Sail

Furling type / Art. N° _____

Luff tape diameter _____

UV protection stripe Yes No | Port Starboard

UV stripe colour _____

Sheet tracks position Deck Roof Fixed points

Notes _____

measures in cm

Lp	maximum luff length of sail between shackles	
I	genoa halyard raised as high as possible - deck	
J	forestay pin - mast foot	
SA	forestay pin - back end of sheet track *	
SY	forestay pin - front end of sheet track *	
R	forestay pin - tack attachment	
K	tack attachment - foil entry gate	

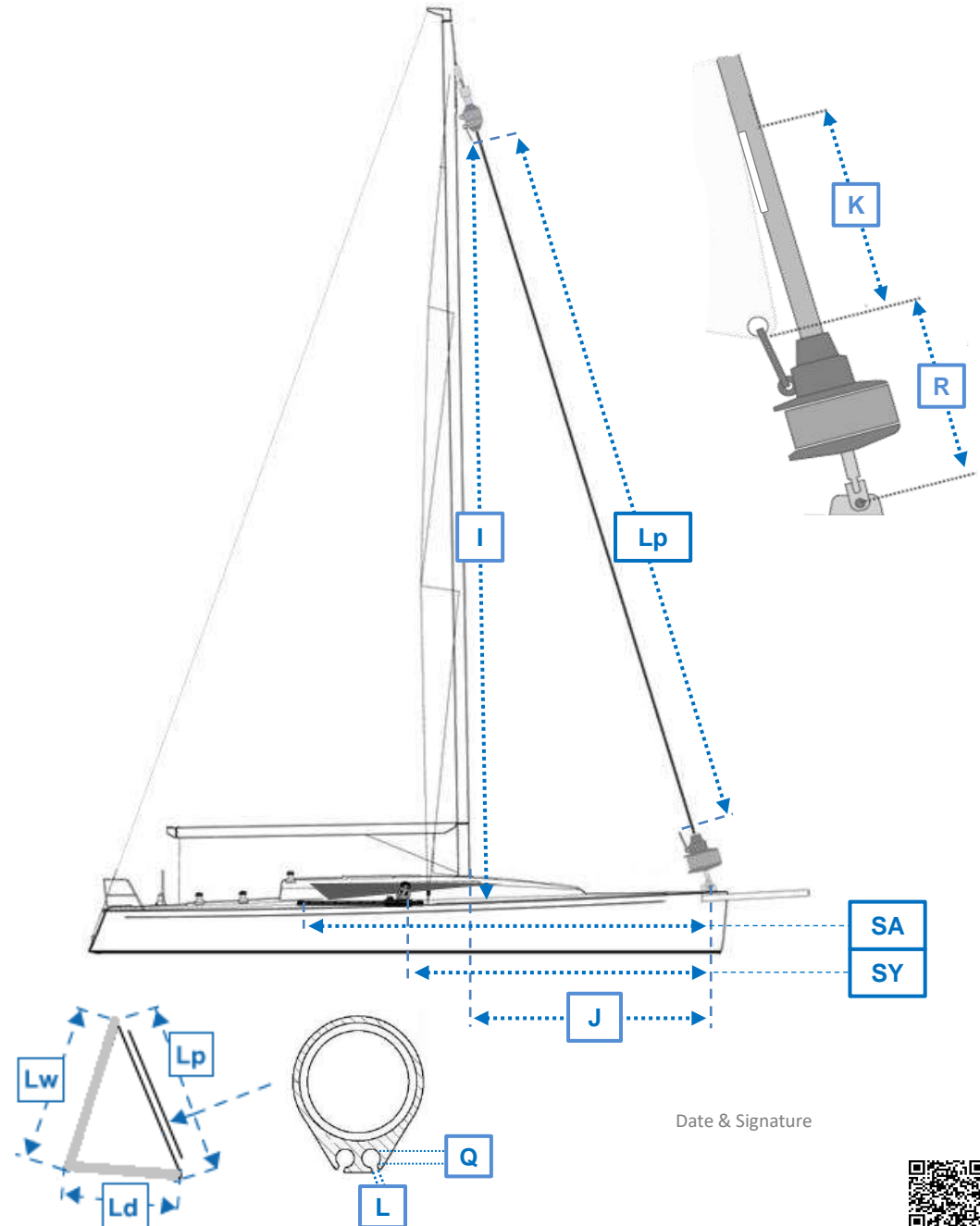
* Please, make sure tape passes around the shrouds. Pull tight when measuring.

Sail dimensions

Lp	Luff	
Lw	Leech	
Ld	Foot	

Furler profile

Q	groove diameter	
L	slot	



Date & Signature _____

