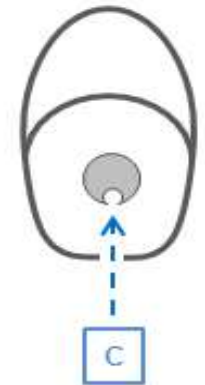
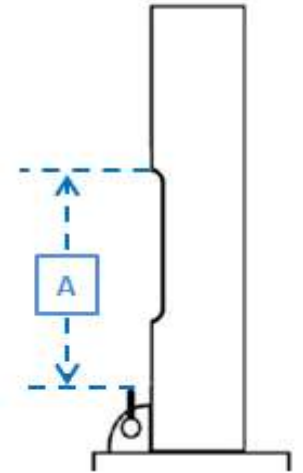
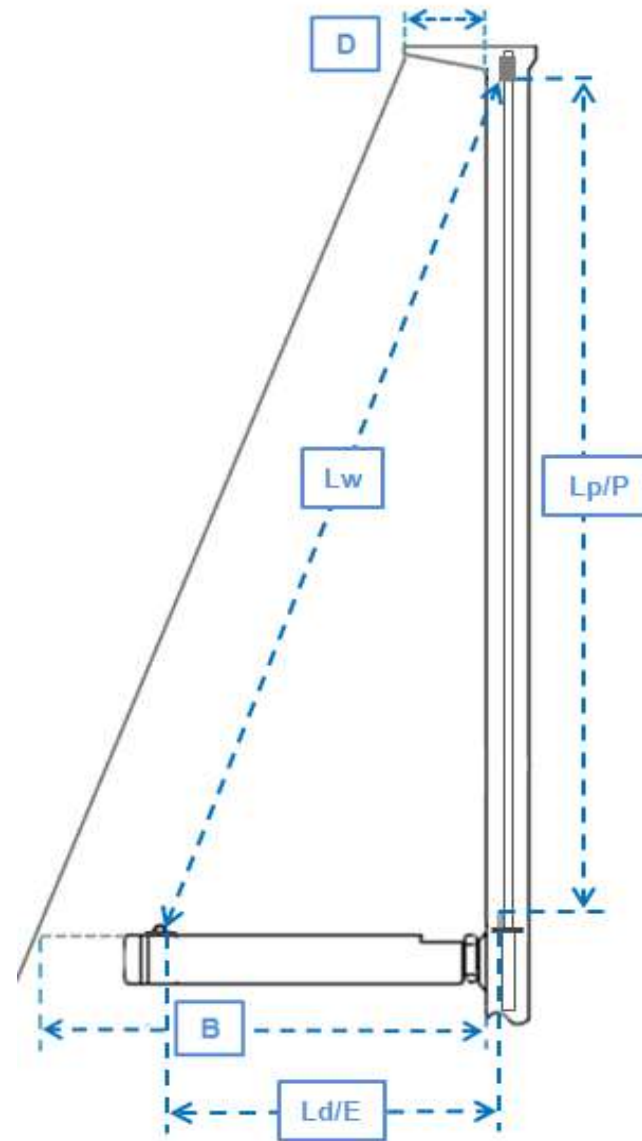


Name _____
 Tel/Email _____
 Order N° _____

Boat type			
Description			
Crosscut	Radial cut	Full Batten	Semi Full
Mast ref.			
Furler ref.			
Clew UV protection colour			
Sail number			
Notes			

measures in cm

Lp/P	main halyard hoist to the maximum - tack fitting	
Ld/E	tack fitting - clew connection (or black band)	
Lw	main halyard hoist to the maximum - clew connection	
A	bearing point of tack fitting - furler entry	
B	aft face of mast - backstay, horizontally at boom level	
C	luff rope diameter	
D	mast crane clearance width	



Date & Signature