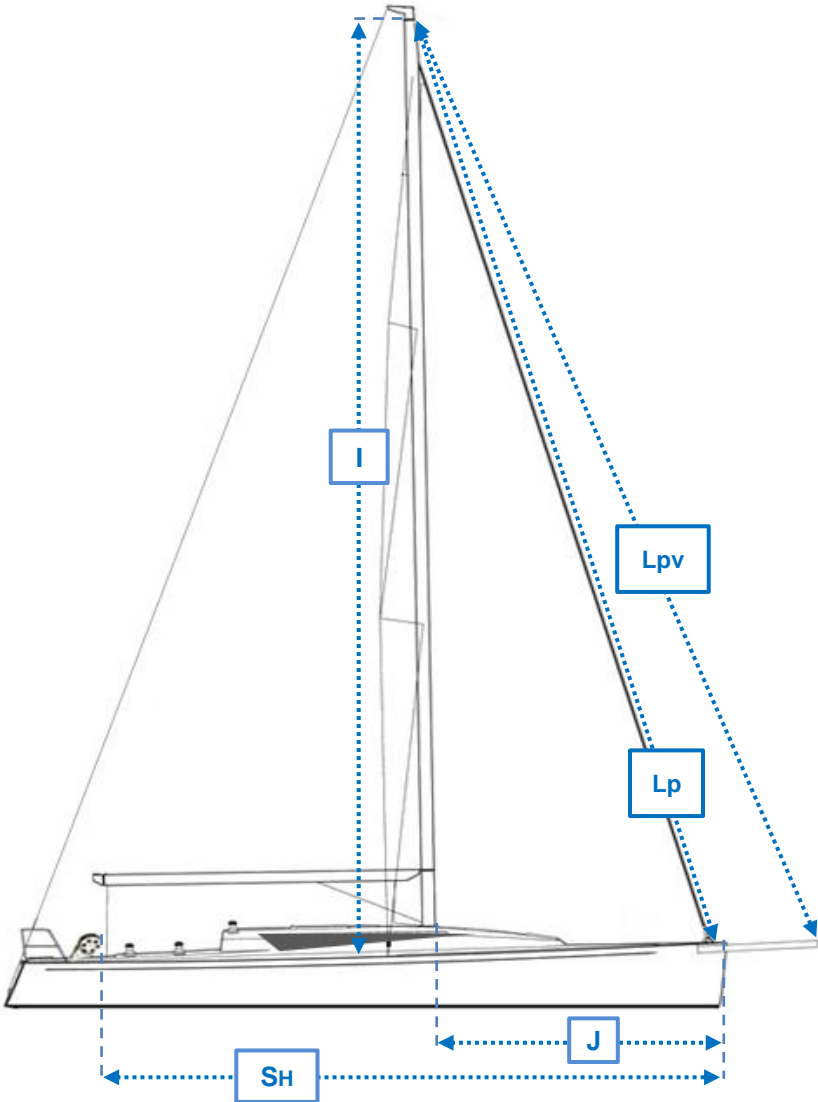
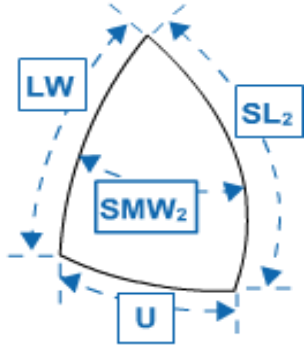
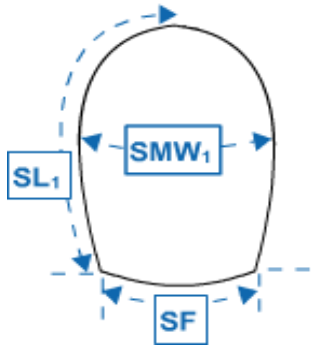


Boat type	_____
Description	_____
Cloth weight	_____
In use with snuffer ?	Yes No
Measured with furler ?	Yes No
Furler brand art.n° or measures	_____
Bowsprit (asymmetrical) ?	Yes No Length _____
Pole length (symmetric spinnaker)	_____
Colours	_____

		<i>measures in cm</i>
<b>Lpv</b>	fully hoist spinnaker halyard - bowsprit tack point or pole end	_____
<b>Lp</b>	fully hoist spinnaker halyard - deck and forestay intersection	_____
<b>I</b>	fully hoist spinnaker halyard - shroud u-bolt (deck level)	_____
<b>SH</b>	deck and forestay intersection - sheet point	_____
<b>J</b>	deck and forestay intersection - front side of the mast	_____

<b>SL1</b>	_____
<b>SF</b>	_____
<b>SMW1</b>	_____
<b>m²</b>	_____
<b>LW</b>	_____
<b>SL2</b>	_____
<b>SMW2</b>	_____
<b>U</b>	_____



Date & Signature \_\_\_\_\_

Furler brand art.n° & measures

- D
- E
- F
- G

*measures in cm*